



MANTALEDA

ACCESSIBLE BATHING

• YORKSHIRE CRAFTED •

Product Brochure January 2026.





WELCOME TO MANTALEDA BATHROOMS

Mantaleda have been a specialist walk in bath manufacturer for more than 25 years, producing their first in early 1996. In this time, we have not only continually extended our range of own manufactured baths but also sourced products from external manufacturers to offer, possibly, the widest range available from a single source.

More recently, we have introduced our range of Living Showers cubicles & assemblies to enhance this offering, all manufactured here in our own factory.

Our comprehensive range of grab rails, drop down arms, fold down shower seats, & easy to use shower valve; plus high quality enclosures from Artweger, ensures we have something to offer anybody considering less able bathing products or looking to future proof their bathroom.



Baths

Page 4



Extras

Page 32



Living Showers

Page 38



Less Able Aids

Page 40

FIND OUT MORE

01609 771 211

info@mantaleda.co.uk

www.mantaleda.co.uk

MANTALEDA

ACCESSIBLE BATHING FOR ALL

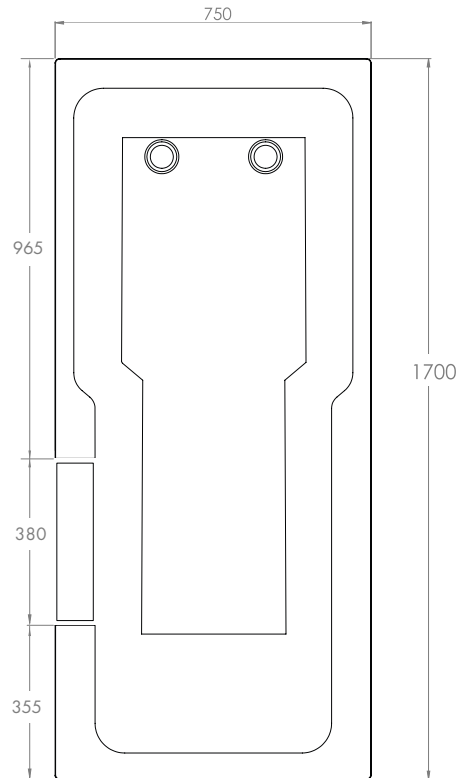
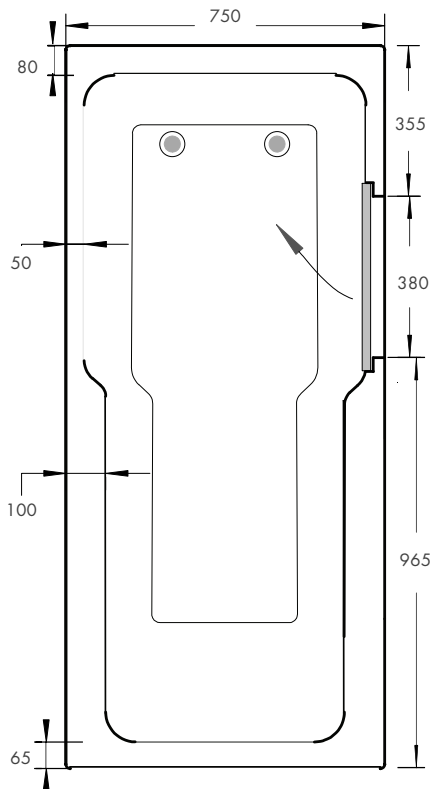
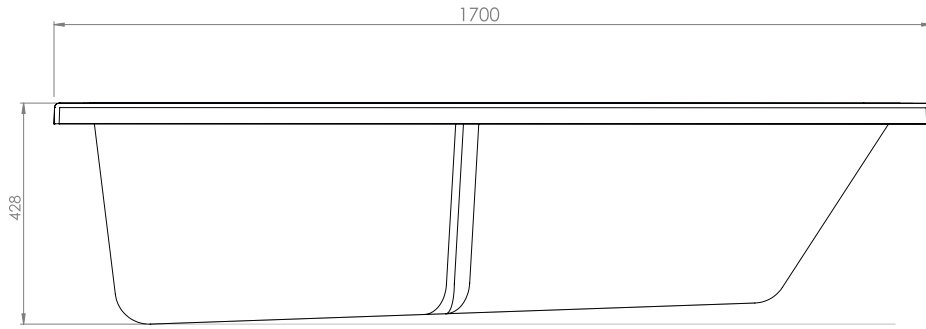
Where accessibility and ease-of-use are a must, Mantaleda baths deliver everything you need. Explore our range of deep soak and power-lift baths to take the strain out of independent bathing, with designs to suit the whole family.



Isua Walk-In Bath - Left Hand Entry



Isua RV Walk-In Bath - Right Hand Entry



ISUA WALK-N BATH.

Includes front & end panel, twin wastes.

Colour: **White.**

Code	Description	Dimensions (mm)
MT072	Isua LHE	1700 x 750 (LH)
MT073	Isua RHE	1700 x 750 (RH)

ISUA RV WALK-N BATH.

Includes front & end panel, twin wastes.

Colour: **White.**

Code	Description	Dimensions (mm)
MT074	Isua RV LHE	1700 x 750 (LH)
MT075	Isua RV RHE	1700 x 750 (RH)

PRODUCT BENEFITS

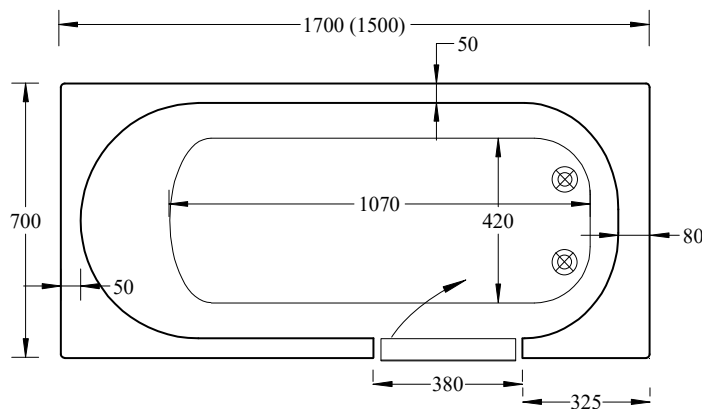
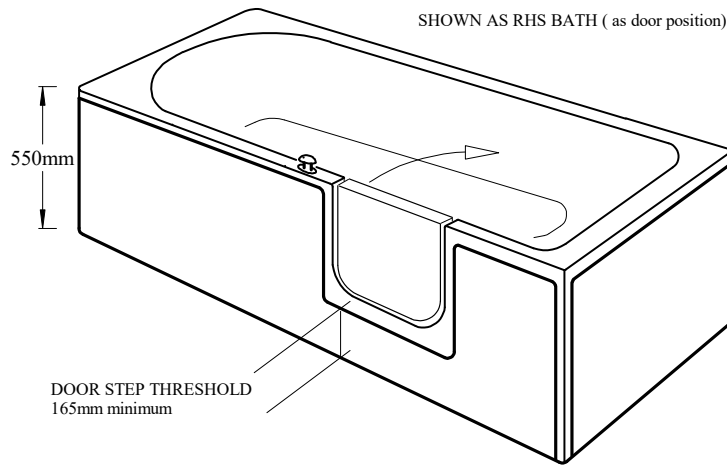
- Suitable for shower bath
- Low threshold
- Inward opening 10mm toughened glass door
- Effortless gadget free door locking mechanism
- Both LH & RH hinged door options available
- Slip resistant base
- Water capacity: 1700 x 750mm; 210 litres unoccupied
- Hydrotherapy Spa and chromotherapy lights options
(Please ask your sales representative for further details)
- Dual waste for faster drainage and safety



Avrail Walk-In Bath – Right Hand Entry



Abalone Walk-In Bath – Left Hand Entry



WATER CAPACITY UNOCCUPIED - 167 LITRES

INTERNAL DEPTH - 395mm

SLIP RESISTANT ENTRY

TWIN WASTES

LHS AND RHS DOOR OPTIONS

AVRAIL WALK-IN BATH.

Includes front & end panel and twin wastes.

Colour: **White.**

Code	Description	Dimensions (mm)
MT001	Avrail LHE	1700 x 700 (LH)
MT002	Avrail RHE	1700 x 700 (RH)
MT003	Avrail LHE	1500 x 700 (LH)
MT004	Avrail RHE	1500 x 700 (RH)

ABALONE WALK-IN BATH.

Includes front & end panel and twin wastes.

Colour: **White.**

Code	Description	Dimensions (mm)
MT005	Abalone LHE	1700 x 700 (LH)
MT006	Abalone RHE	1700 x 700 (RH)
MT007	Abalone LHE	1500 x 700 (LH)
MT008	Abalone RHE	1500 x 700 (RH)

PRODUCT BENEFITS

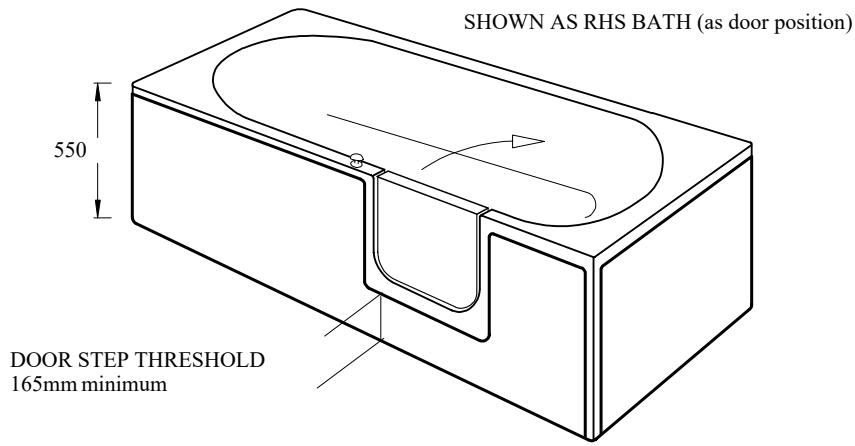
- Low threshold
- Lower water capacity
- Inward opening 10mm toughened glass door (Abalone)
- Inward opening solid door (Avrail)
- Effortless gadget free door locking mechanism
- Both LH & RH hinged door options available
- Water capacity: 1500 x 700mm; 167 litres unoccupied, 1700 x 700mm; 180 litres unoccupied
- Hydrotherapy Spa and chromotherapy lights options (Please ask your sales representative for further details)
- Dual waste for faster drainage and safety
- Slip resistant base



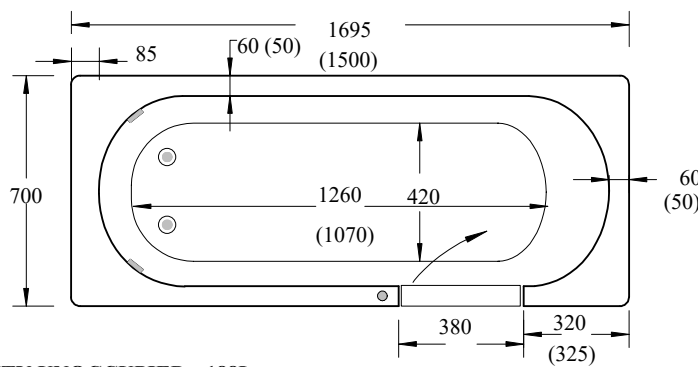
Avrail RV Walk-In Bath – Right Hand Entry



Abalone RV Walk-In Bath – Right Hand Entry



DIMENSIONS (NOMINAL) 1695/1500 x 700 x 510



**WATER CAPACITY UNOCCUPIED - 188L
(167L) INTERNAL LENGTH - 1545 (1365)
INTERNAL DEPTH - 395
INTERNAL WIDTH - 595
SLIP RESISTANT ENTRY
TWIN WASTES**

AVRAIL RV WALK-IN BATH.

Includes front & end panel and twin wastes.
Colour: **White.**

Code	Description	Dimensions (mm)
MT009	Avrail RV LHE	1700 x 700 (LH)
MT010	Avrail RV RHE	1700 x 700 (RH)
MT011	Avrail RV LHE	1500 x 700 (LH)
MT012	Avrail RV RHE	1500 x 700 (RH)
MTS02	Rectangular Screen	1400H 6mm

ABALONE RV WALK-IN BATH.

Includes front & end panel and twin wastes.
Colour: **White.**

Code	Description	Dimensions (mm)
MT013	Abalone RV LHE	1700 x 700 (LH)
MT014	Abalone RV RHE	1700 x 700 (RH)
MT015	Abalone RV LHE	1500 x 700 (LH)
MT016	Abalone RV RHE	1500 x 700 (RH)

PRODUCT BENEFITS

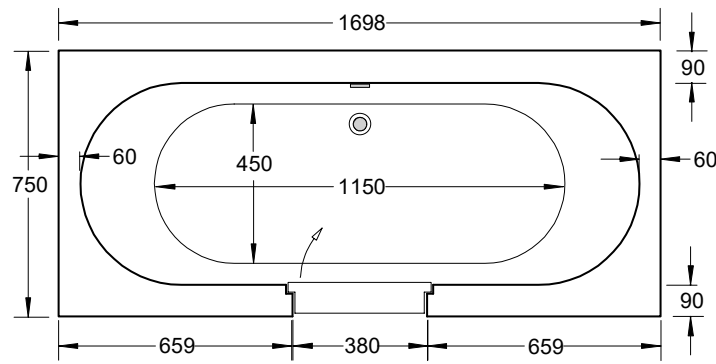
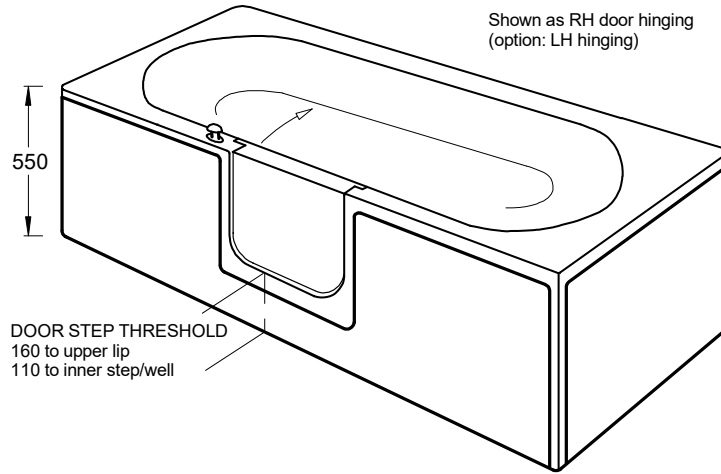
- Same footprint as a standard Avrail bath
- Simple showering with independent screen and bath door
- Simple, single lever door locking mechanism (Avrail)
- Slip resistant base to shower area
- Dual waste for faster drainage and safety
- Hydrotherapy Spa and chromotherapy lights options *(Please ask your sales representative for further details)*
- Ideal for easy access showering
- Water capacity: 1500 x 700mm; 167 litres unoccupied, 1700 x 700mm; 180 litres unoccupied



Cordova Walk-In Bath – Right Hand Hinge



Cortega Walk-In Bath – Right Hand Hinge



WATER CAPACITY UNOCCUPIED - 200 litres

INTERNAL DEPTH - 385mm

SLIP RESISTANT ENTRY

SINGLE WASTE

DIMENSIONS (NOMINAL) 1698 x 750 x 550

CORDOVA WALK-IN BATH.

Includes front & end panel and single waste.

Colour: **White.**

Code	Description	Dimensions (mm)
MT017	Cordova LHH	1700 x 750 (LH)
MT018	Cordova RHH	1700 x 750 (RH)

CORTEGA WALK-IN BATH.

Includes front & end panel and single waste.

Colour: **White.**

Code	Description	Dimensions (mm)
MT019	Cortega LHH	1700 x 750 (LH)
MT020	Cortega RHH	1700 x 750 (RH)

PRODUCT BENEFITS

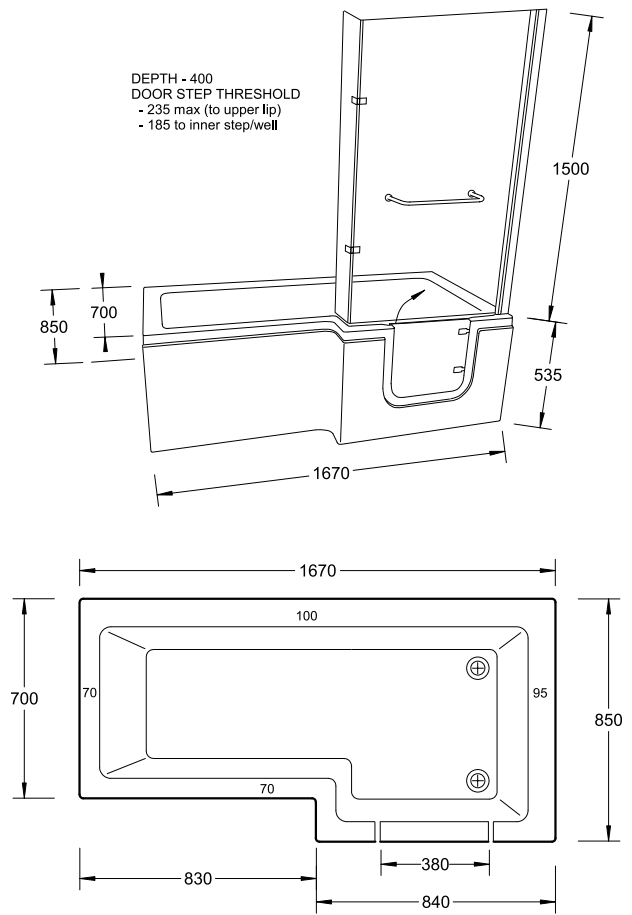
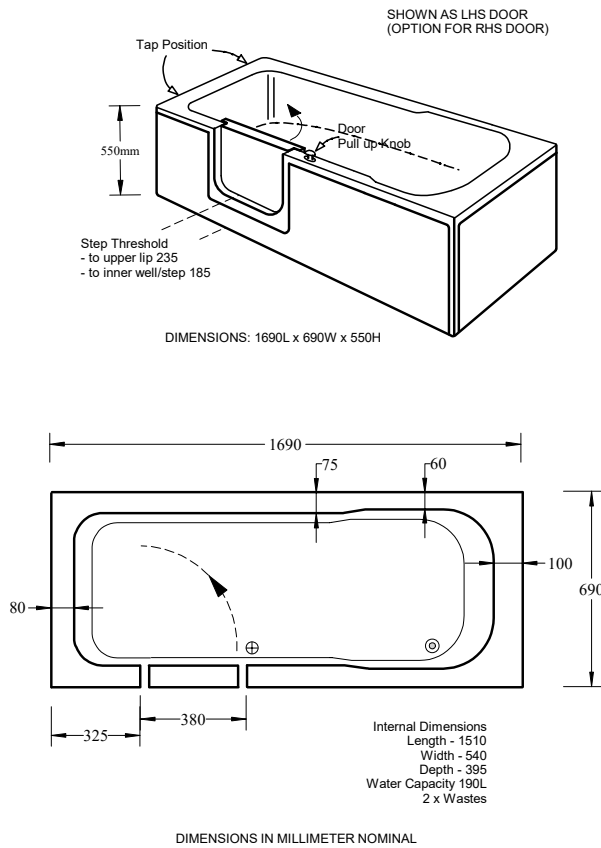
- Low threshold – min. 160mm above floor
- Lower water capacity
- Inward opening 10mm toughened glass door (Cortega)
- Inward opening solid door (Cordova)
- Effortless gadget free door locking mechanism
- Both LH & RH hinged door options available
- Water capacity: 200 litres unoccupied
- Hydrotherapy Spa and chromotherapy lights options
(Please ask your sales representative for further details)



Aventis Walk-In Bath – Left Hand Entry



Savana Walk-In Bath – Right Hand Entry



AVENTIS WALK-IN BATH.

Includes front & end panels and twin wastes.
Colour: **White.**

Code	Description	Dimensions (mm)
MT052	Aventis (LH)	1700 x 700 (LH)
MT053	Aventis (RH)	700 x 700 (RH)

SAVANA WALK-IN BATH.

Includes front & end panels, twin wastes and screen (1400H 6mm c/w rail).
Colour: **White.**

Code	Description	Dimensions (mm)
MT029	Savana (LH)	1700 x 850 x 700 (LH)
MT030	Savana (RH)	1700 x 850 x 700 (RH)

PRODUCT BENEFITS

- Inward opening door
- Effortless gadget free door locking mechanism
- Slip resistant base
- Dual waste for faster drainage and safety
- Both LH & RH entry available
- Ideal for easy access showering
- Hydrotherapy Spa and chromotherapy lights options
(Please ask your sales representative for further details)
- Water capacity: 188 litres unoccupied

PRODUCT BENEFITS

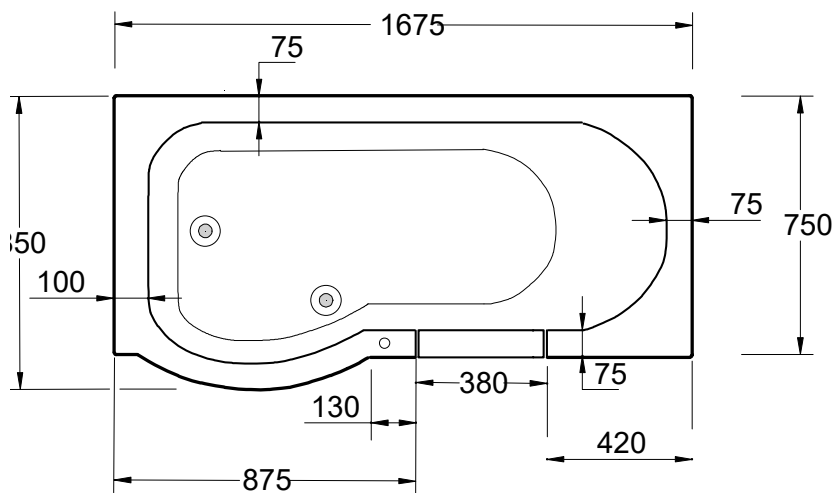
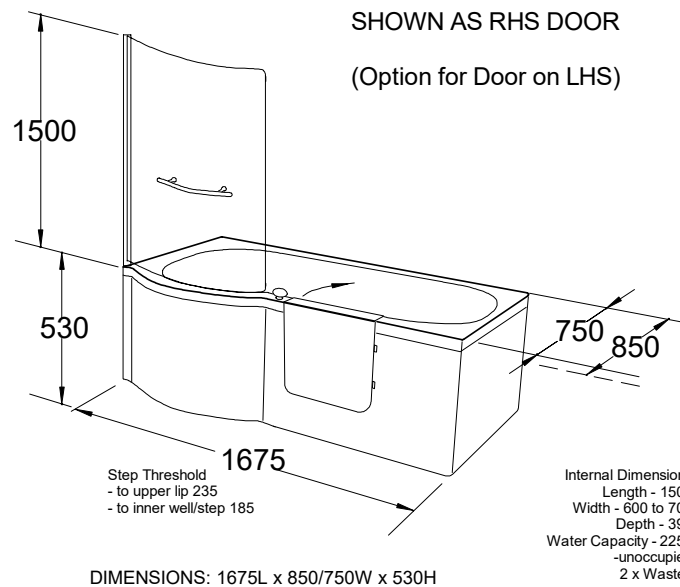
- Low threshold
- 10mm toughened glass access door (Savana Only)
- 6mm toughened glass hinged shower screen
- Manual locking system with simple to operate push and pull mechanism
- Dual wastes for quicker drainage & safety
- Hydrotherapy Spa and chromotherapy lights options
(Please ask your sales representative for further details)
- Water capacity: 215 litres



Calypso Walk-In Bath – Right Hand Entry



Carnelian Walk-In Bath – Right Hand Entry



MEASUREMENTS IN MILLIMETER NOMINAL

CALYPSO WALK-IN BATH.

Includes front & end panels, twin wastes and screen (1400H 6mm c/w rail).

Colour: **White.**

Code	Description	Dimensions (mm)
MT021	Calypso (LH)	1675 x 850 x 750 (LH)
MT022	Calypso (RH)	1675 x 850 x 750 (RH)

CARNELIAN WALK-IN BATH.

Includes front & end panels, twin wastes and screen (1400H 6mm c/w rail).

Colour: **White.**

Code	Description	Dimensions (mm)
MT025	Carnelian (LH)	1675 x 850 x 750 (LH)
MT026	Carnelian (RH)	1675 x 850 x 750 (RH)

PRODUCT BENEFITS

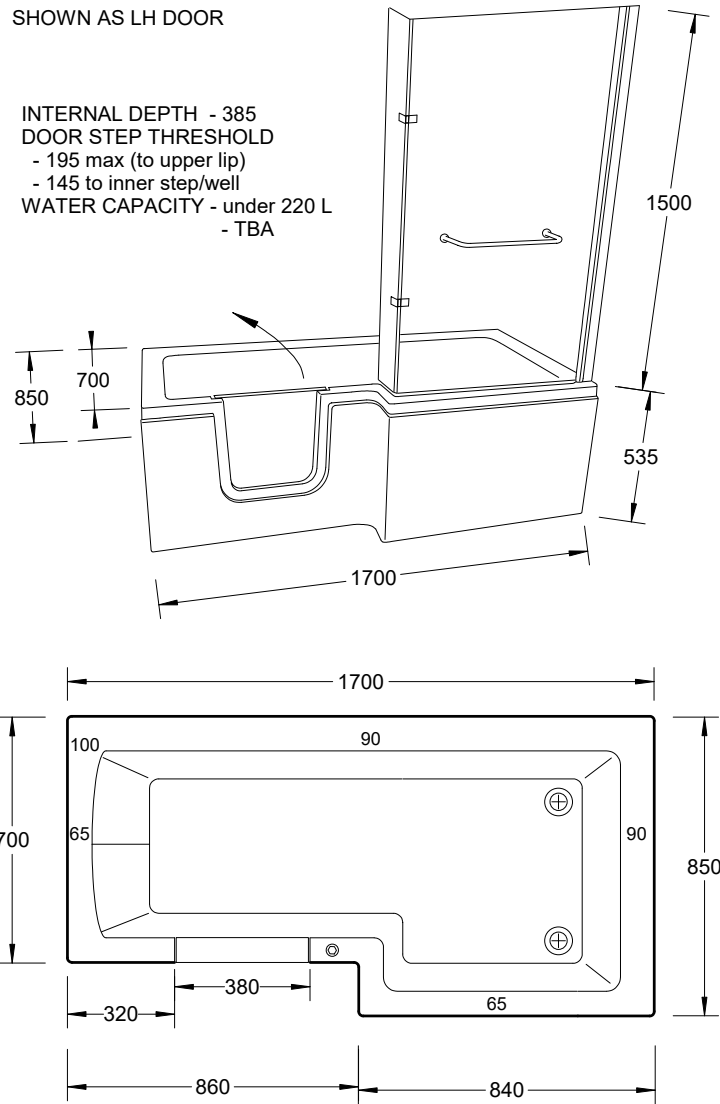
- Low threshold door
- 10mm toughened glass access door (*Carnelian Only*)
- 6mm toughened glass hinged shower screen
- Manual locking system with simple to operate push and pull mechanism
- Dual wastes for quicker drainage & safety
- Hydrotherapy Spa and chromotherapy lights options (*Please ask your sales representative for further details*)
- Water capacity: 225 litres



Highgrove Walk-In Bath – Right Hand Entry



Larimar Walk-In Bath – Left Hand Entry



HIGHGROVE WALK-IN BATH.

Includes front & end panels, twin wastes and screen (1400H 6mm c/w rail).

Colour: **White.**

Code	Description	Dimensions (mm)
MT023	Highgrove (LH)	1700 x 850 x 700 (LH)
MT024	Highgrove (RH)	1700 x 850 x 700 (RH)

LARIMAR WALK-IN BATH.

Includes front & end panels, twin wastes and screen (1400H 6mm c/w rail).

Colour: **White.**

Code	Description	Dimensions (mm)
MT027	Larimar (LH)	1700 x 850 x 700 (LH)
MT028	Larimar (RH)	1700 x 850 x 700 (RH)

PRODUCT BENEFITS

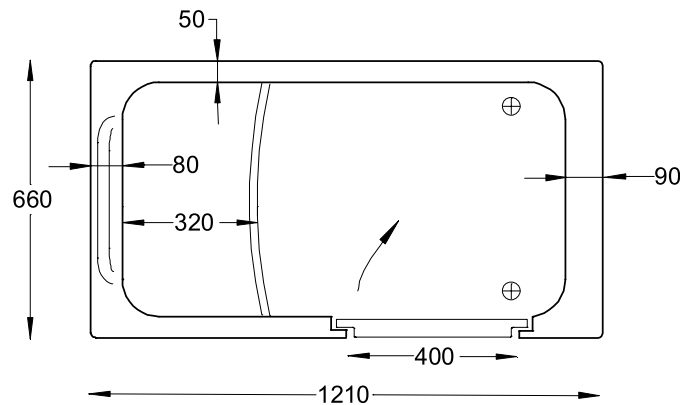
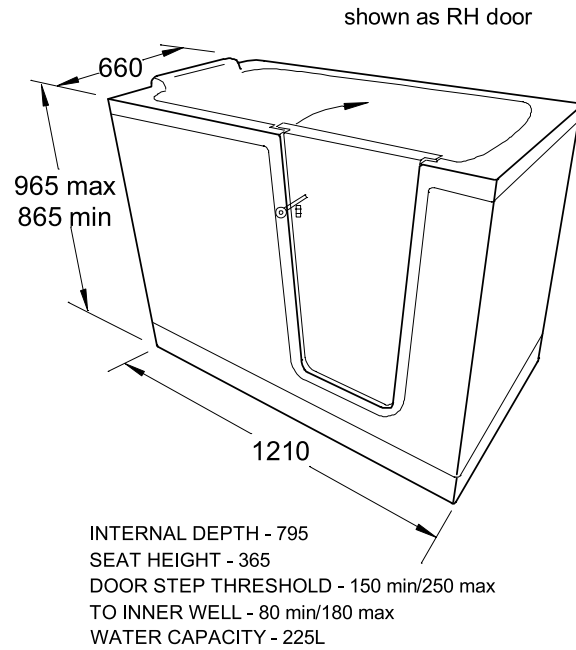
- Modern L-Shaped design
- Simple, single lever door locking mechanism
- Slip resistant base to shower area
- Dual waste for quicker drainage and safety
- Ideal for easy access showering
- Both LH & RH versions available
- Inward opening 10mm thick toughened glass door (*Larimar only*)
- Hydrotherapy Spa and chromotherapy lights options (*Please ask your sales representative for further details*)
- Toughened glass shower screen with bright silver pillar and handle
- Water capacity: 225 litres unoccupied



Caversham Walk-In Bath – Left Hand Entry



Priya Walk-In Bath – Right Hand Entry



Dimensions in millimetre nominal

CAVERSHAM WALK-IN BATH.

Includes front & end panels and twin wastes.
 A plain complementary screen is also available.
 Colour: **White.**

Code	Description	Dimensions (mm)
MT035	Caversham (LH)	1210 x 650 (LH)
MT036	Caversham (RH)	1210 x 650 (RH)
MTS01	Compact Bath Screen	

PRIYA WALK-IN BATH.

Includes front & end panel and twin wastes.
 A plain complementary screen is also available.
 Colour: **White.**

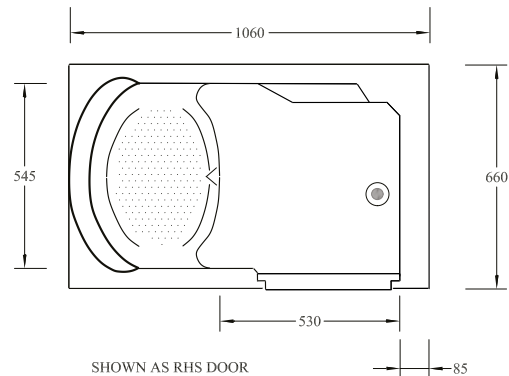
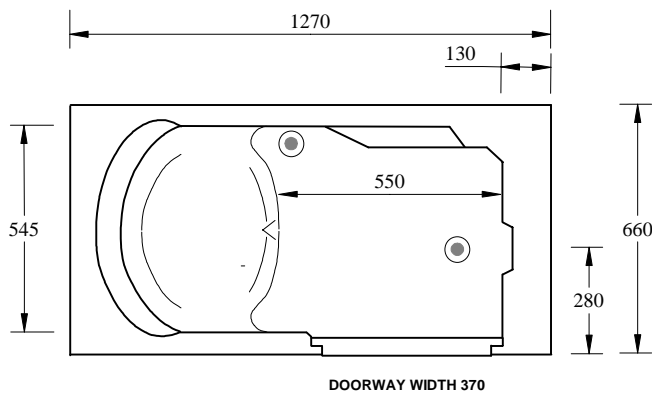
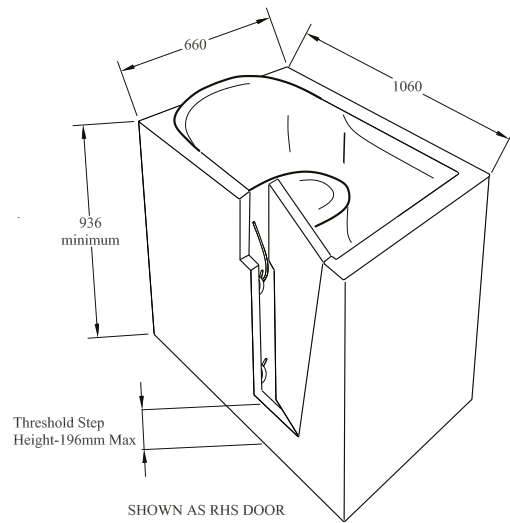
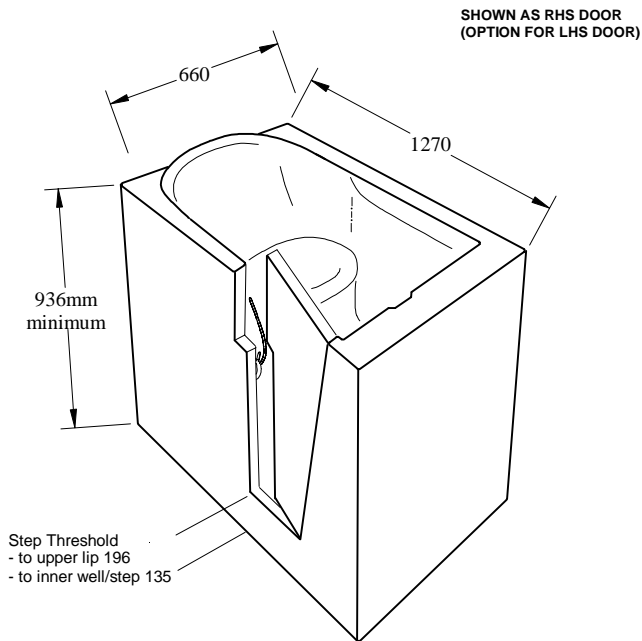
Code	Description	Dimensions (mm)
MT037	Priya (LH)	1210 x 650 (LH)
MT038	Priya (RH)	1210 x 650 (RH)
MTS01	Compact Bath Screen	

PRODUCT BENEFITS

- Slip resistant base
- Comfortable integrated seat with contoured back
- Inward opening 10mm toughened glass door (*Priya only*)
- Inward opening solid door (*Caversham only*)
- Simple to operate single lever door locking mechanism
- Both LH & RH entry versions available
- Seat height of 395mm, overall internal depth of 795mm
- Dual waste for quicker drainage and safety
- Water capacity: 260 litres unoccupied
- Matching reduced height bath screen available
- Hydrotherapy Spa and chromotherapy lights options
(Please ask your sales representative for further details)



Athena Walk-In Bath – Left Hand Entry



SHOWN AS RHS DOOR

SUPPLIED WITH RHS OR LHS DOOR

DIMENSIONS IN MILLIMETERS

ATHENA WALK-IN BATH.

Includes front & end panel and twin wastes.
A plain complementary screen is also available.
Colour: **White.**

Code	Description	Dimensions (mm)
MT039	Athena (LH)	1275 x 660 (LH)
MT040	Athena (RH)	1275 x 660 (RH)
MTS01	Compact Bath Screen	

ATHENA MINI WALK-IN BATH.

Includes front & end panel and single waste.
A plain complementary screen is also available.
Colour: **White.**

Code	Description	Dimensions (mm)
MT041	Athena Mini (LH)	1060 x 660 (LH)
MT042	Athena Mini (RH)	1060 x 660 (RH)
MTS01	Compact Bath Screen	

PRODUCT BENEFITS

- Inward opening door
- Simple to operate single lever door locking mechanism
- Slip resistant base
- Comfortable integrated seat with contoured back
- Seat height of 370mm
- Overall internal depths of 660mm
- Dual waste for faster drainage and safety (Athena)
- Single waste and overflow for simple installation (Athena Mini)
- Both LH & RH entry versions available
- Hydrotherapy Spa and chromotherapy lights options
(Please ask your sales representative for further details)
- Water capacity: 1270 x 660mm; 218 litres unoccupied, 1060 x 660mm; 200 litres unoccupied



Tranquility Walk-In Bath - Right Hand Hinge

TRANQUILITY

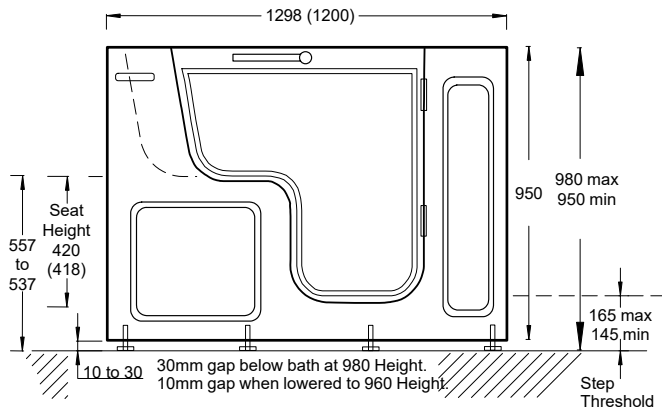
- Acrylic composite shell (out-swing door)
- Stainless steel Frame
- Grab bars
- Fast Drain
- All Solid Aluminum Door and Jamb

TRANQUILITY SPECIAL

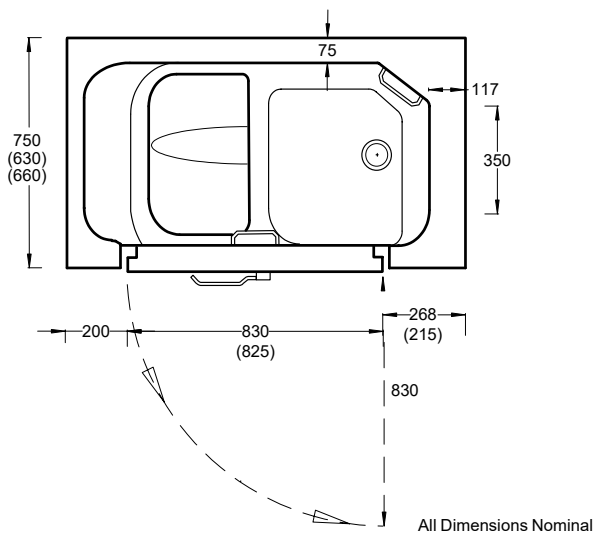
- Acrylic composite shell (out-swing door)
- Stainless steel Frame
- Grab bars
- Fast Drain
- All Solid Aluminum Door and Jamb
- Fast Fill Faucet with Shower
- 8 Jet Whirlpool
- Soft head rest

TRANQUILITY SPECIAL PLUS

- Acrylic composite shell (out-swing door)
- Stainless steel Frame
- Grab bars
- Fast Drain
- All Solid Aluminum Door and Jamb
- Fast Fill Faucet with Shower
- Ozone generation
- MicroBubble Technology
- Chromatherapy / Aromatherapy
- Heated Back & Seat
- 8 Jet Whirlpool
- Soft head rest
- Electronic Touch Pad Control



Shown as RH hinged door - LH option available



All Dimensions Nominal

PRODUCT BENEFITS

- Unparalleled ease of entry and exit
- Extra wide door and lower step-in threshold
- Advanced door and water seal system
- Unique horizontal/shallow drain for quicker exit
- 2 internal grab rails
- Slip resistant base
- Free standing and partly assembled for faster installation
- Hydrotherapy Spa, Micro Bubble Technology and Chromotherapy light options available (*Please ask your sales representative for further details*)
- Water capacity: 1300 x 660mm; 285 litres unoccupied, 1300 x 750mm: 300 litres unoccupied

TRANQUILITY WALK-IN BATH.

Code	Description	Dimensions (mm)
MT076	Tranquility (LH)	1200 x 630 (LH)
MT076S	Tranquility Special (LH)	1200 x 630 (LH)
MT076S+	Tranquility Special Plus (RH)	1200 x 630 (LH)

Code	Description	Dimensions (mm)
MT077	Tranquility (LH)	1200 x 630 (RH)
MT077S	Tranquility Special (LH)	1200 x 630 (RH)
MT077S+	Tranquility Special Plus (RH)	1200 x 630 (RH)

Code	Description	Dimensions (mm)
MT048	Tranquility (LH)	1298 x 660 (LH)
MT048S	Tranquility Special (LH)	1298 x 660 (LH)
MT048S+	Tranquility Special Plus (RH)	1298 x 660 (LH)

Code	Description	Dimensions (mm)
MT049	Tranquility (LH)	1298 x 660 (RH)
MT049S	Tranquility Special (LH)	1298 x 660 (RH)
MT049S+	Tranquility Special Plus (RH)	1298 x 660 (RH)

Code	Description	Dimensions (mm)
MT046	Tranquility (LH)	1298 x 750 (LH)
MT046S	Tranquility Special (LH)	1298 x 750 (LH)
MT046S+	Tranquility Special Plus (RH)	1298 x 750 (LH)

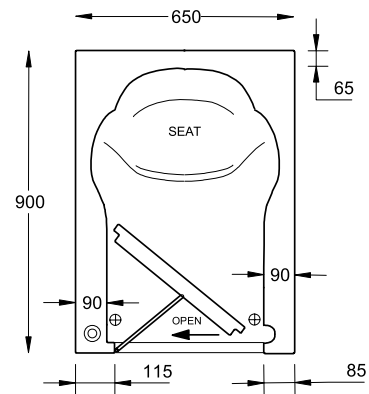
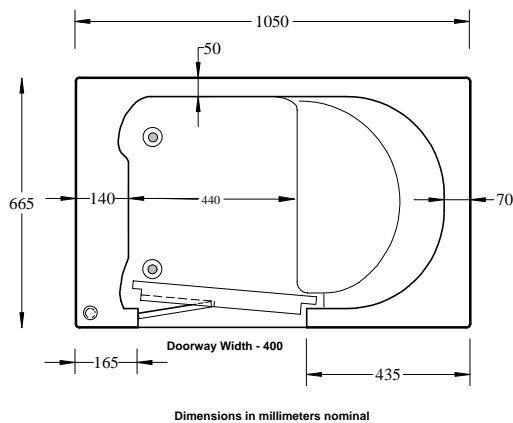
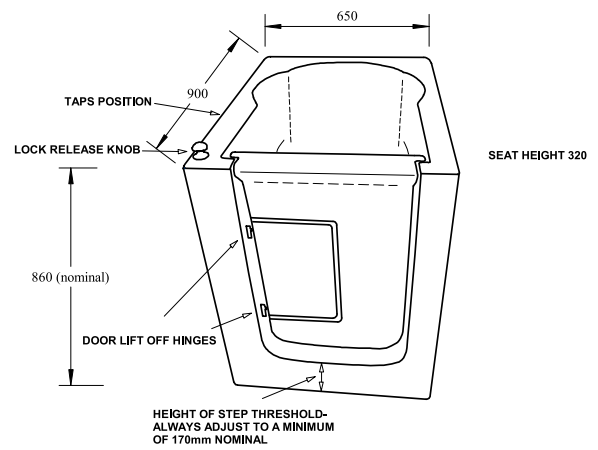
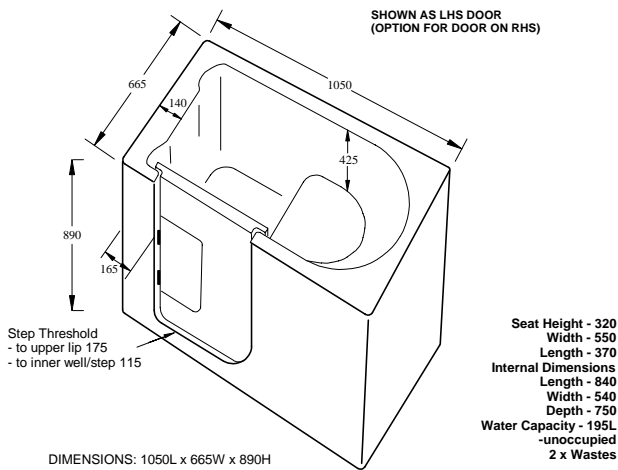
Code	Description	Dimensions (mm)
MT047	Tranquility (LH)	1298 x 750 (RH)
MT047S	Tranquility Special (LH)	1298 x 750 (RH)
MT047S+	Tranquility Special Plus (RH)	1298 x 750 (RH)



Affinity Walk-In Bath – Right Hand Entry



Maestro Walk-In Bath – Left Hand Entry



AFFINITY WALK-IN BATH.

Includes front & end panel, twin wastes.

Colour: **White.**

Code	Description	Dimensions (mm)
MT043	Affinity (LH)	1050 x 665 (LH)
MT044	Affinity (RH)	1050 x 665 (RH)

MAESTRO WALK-IN BATH.

Includes side & end panels and twin wastes.

A plain complementary screen is also available.

Colour: **White.**

Code	Description	Dimensions (mm)
MT045	Maestro	1060 x 660 (LH)
MT045P	Extra Side Panel	
MTS01	Compact Bath Screen	

PRODUCT BENEFITS

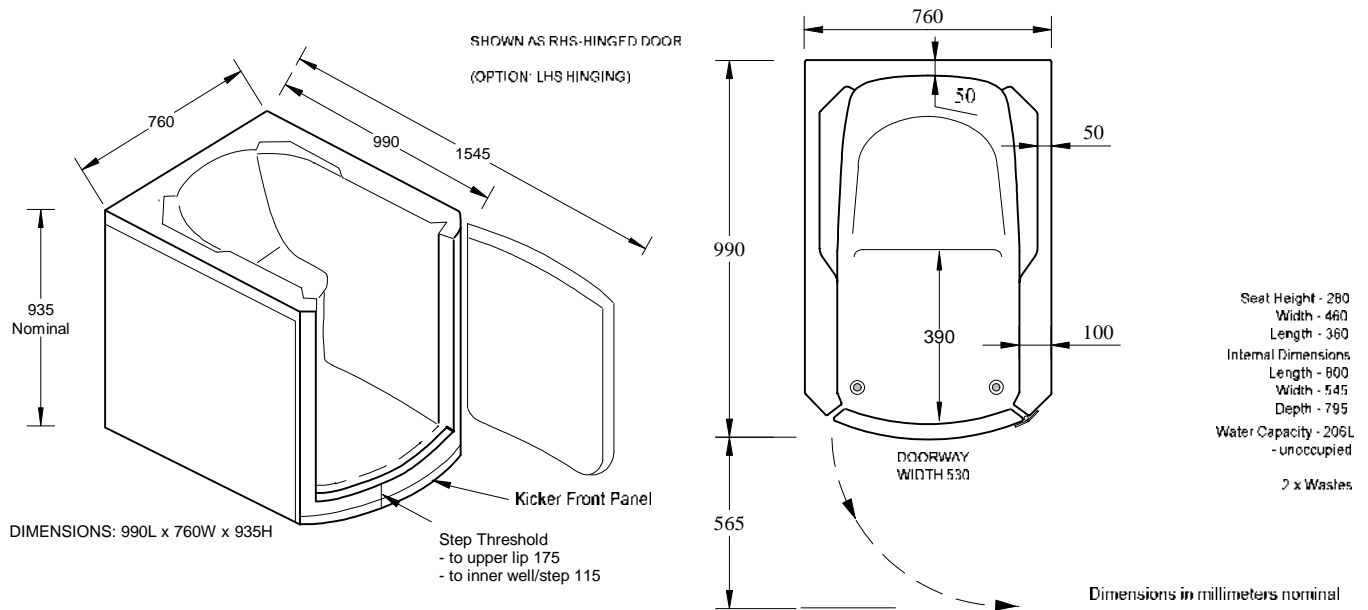
- Easy to use inward opening door
- Effortless, gadget free door locking mechanism
- Enhanced doorway access for more room
- Slip resistant base
- Comfortable integrated seat with contoured back
- Removable frame to aid installation
- Dual waste for quicker drainage and safety
- Both LH & RH entry versions available
- Matching reduced height bath screen available
- Hydrotherapy Spa and chromotherapy lights options
(Please ask your sales representative for further details)
- Water capacity: 195 litres unoccupied
- Seat height of 320mm

PRODUCT BENEFITS

- Easy to use inward opening door
- Effortless, gadget free door locking mechanism
- Enhanced doorway access for more room
- Slip resistant base
- Comfortable integrated seat with contoured back
- Overall internal depth of 660mm
- Removable frame to aid installation
- Dual waste for quicker drainage and safety
- Front entry, compact design
- Hydrotherapy Spa and chromotherapy lights options
(Please ask your sales representative for further details)
- Water capacity: 175 litres unoccupied



Ambience Walk-In Bath – Right Hand Hinge



AMBIANCE WALK-IN BATH.

Includes side panel and twin wastes.

Colour: **White.**

Code	Description	Dimensions (mm)
MT050	Ambiance (LH)	1050 x 665
MT051	Ambiance (RH)	1050 x 665
MT050P	Extra Side Panel	

AMBIANCE DUO WALK-IN BATH.

The Duo-Ambiance with its lift off door & two-part assembly allows access through the tightest of corridors & doorways into the bathroom. Simply carry the two parts into the bathroom & reassemble utilising the 13 bonded in studs and silicone gasket. No need to use any sealant to make the join watertight. Finally lower the door back on to the lift off hinges and continue to fit like any other walk-in bath.

Includes side panel and twin wastes.

Colour: **White.**

Code	Description	Dimensions (mm)
MT050DUO	Ambiance Duo (LH)	990 x 760
MT051DUO	Ambiance Duo (RH)	990 x 760

PRODUCT BENEFITS

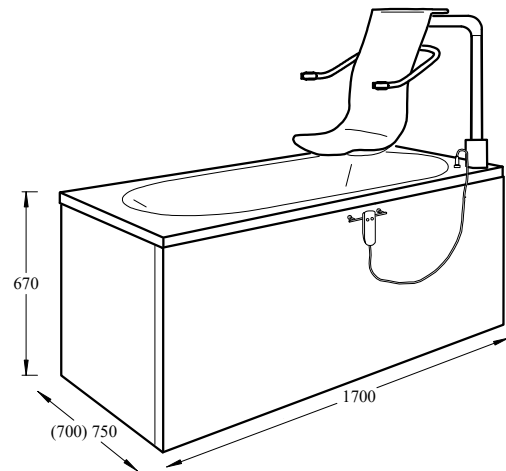
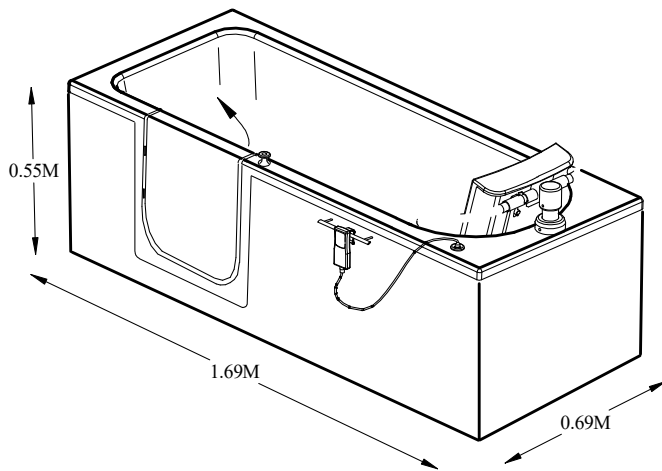
- Left or right hanging door option
- Wide walk through door with low step
- Contoured moulded backrest, armrests and integral upright seat for comfort and support
- Slip resistant base
- Dual wastes for faster drainage and safety
- Hydrotherapy Spa and chromotherapy lights options
(Please ask your sales representative for further details)
- Water capacity: 260 litres unoccupied



Aventis Power Lift bath - Left Hand Entry



Omega Power Traverse Bath - Left Hand Option



AVENTIS POWER LIFT BATH - SHOWN AS A LEFT HAND ENTRY.

Includes front & end panel and twin waste.
Colour: **White.**

Code	Description	Dimensions (mm)
MT054	Aventis Power Lift (LH)	1700 x 700 (LH)
MT055	Aventis Power Lift (RH)	1700 x 700 (RH)

OMEGA POWER TRAVERSE BATH.

A fixed height bath with a powered traverse seat that lifts the user in and out of the bath. Suitable for a variety of care environments. The Omega is a new generation powered bath with state-of-the-art technology & delivers an impressive level of performance. Includes front & end panel and single wastes.
Colour: **White.**

Code	Description	Dimensions (mm)
MT056	Omega Power Traverse	1700 x 700 (LH)
MT057	Omega Power Traverse	1700 x 700 (RH)
MT058	Omega Power Traverse	1700 x 750 (LH)
MT059	Omega Power Traverse	1700 x 750 (RH)

PRODUCT BENEFITS

- Easy access via inward opening, gadget free easy close door
- Integral, full size, contoured seat with fold down arm rests for bather comfort and support
- Low step height
- Safety features include automatic battery back-up in event of mains power failure
- Same capacity and size as conventional baths
- Easy installation of powered lift – fits onto bath sub-frame with no special requirements
- Hydrotherapy Spa and chromotherapy lights options *(Please ask your sales representative for further details)*
- Water capacity: 188 litres unoccupied

PRODUCT BENEFITS

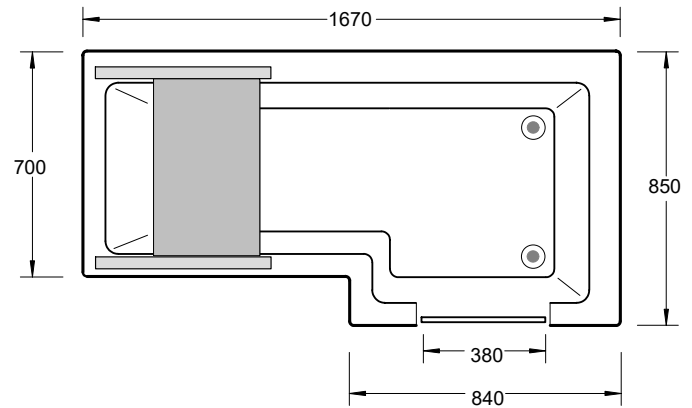
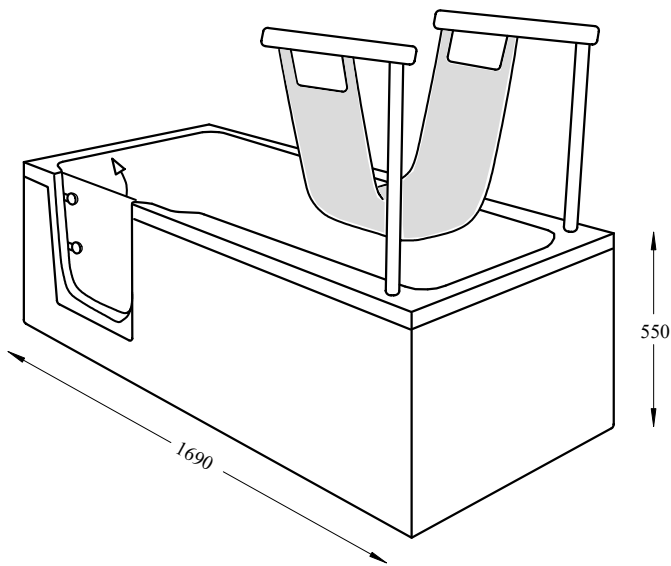
- Seat load up to 165kg
- Reinforced robust bathtub.
- Generous bathing depth for a deeper soak
- Ergonomic contoured seat
- Ergonomic Fold UP Armrests
- Light weight Ergonomic handset control
- Battery back up in event of a mains power failure
- 2 size options: 1700 x 750 and 1700 x 700
- LHS & RHS Seat Options.
- Hoist Lift Access front Panel option.



Isua Sling Power Lift Bath - Right Hand Entry



Savana Sling Power Lift Shower Bath - Left Hand Entry



ISUA SLING POWER LIFT BATH.

Taking easy access bathing to another dimension.

With its robust twin actuator lift mechanism, bathers can lower themselves into or out of the bath with ease & complete security. Easily removable medical grade fabric seat for washing or when the lift is not needed. The seat style allows the bather to utilise the full length of the tub and to rest against the backrest of the bath for a comfortable soak.

Includes front & end panel and twin wastes.

Colour: **White.**

Code	Description	Dimensions (mm)
MT122	Isua Power Lift (LH)	1700 x 750 (LH)
MT123	Isua Power Lift (RH)	1700 x 750 (RH)

PRODUCT BENEFITS

- Medical grade easily removable sling seat
- Twin actuator lift mechanism allows for secure ease of entry & exit
- Low threshold for easy access
- Effortless gadget-free locking mechanism with 10mm toughened glass door
- Lift capacity 152kg (24st)
- Hydrotherapy Spa and chromotherapy lights options *(Please ask your sales representative for further details)*
- Water capacity: 210 litres unoccupied

SAVANA SLING POWER LIFT SHOWER BATH.

Using the same technology as the Isua Lift Bath, the Savana Sling Lift gives not only a safe way to comfortably bathe, but also a large showering area.

Medical grade sling is easily removable for whole family usage and allows the full internal width of the bath to be enjoyed in comfort. Includes front & end panel, shower screen and single wastes.

Colour: **White.**

Code	Description	Dimensions (mm)
MT120	Savana Power Lift (LH)	1700 x 850/700 (LH)
MT121	Savana Power Lift (RH)	1700 x 850/700 (RH)

PRODUCT BENEFITS

- 10mm toughened glass access door & 6mm toughened glass hinged shower door
- Medical grade easily removable sling seat
- Low threshold for easy access
- Manual locking system with simple push & pull mechanism
- Lift capacity 152kg (24st)
- Hydrotherapy Spa and chromotherapy lights options *(Please ask your sales representative for further details)*
- Water capacity: 215 litres unoccupied



Fits low level baths, excluding tub baths

Code	Description
MTHR	Mantaleda Head Rest - Anthracite (price includes fitting to baths)



Removable cover for machine washing

Code	Description
SEATCUSHION	Mantaleda Booster Seat for Deep Soak Baths - 300x380x150

Constructed from high quality polyester with heavy duty waterproof zippers, this weighted soft seat cushion is an ideal & comfortable way to increase the height of the seat on our walk-in deep soak baths.

EXTRAS.

Code	Description
MTP1	Replacement Front Panel for Standard Style Baths
MTP2	Replacement End Panel for Standard Baths
MTP3	Replacement End Panel for Tub Style Baths
MTP4	Replacement Front Panel for Tub Style Baths

Code	Description
MTS01	Compact Bath Screen – 1150 x 610mm
MTS02	Standard Rectangular Screen – 1400 x 800mm

Code	Description
MTLIGHT	Underwater Chromotherapy Led Light
MTSPA	Hydrotherapy Spa System



HYDROTHERAPY SPA.

If you are looking for your Mantaleda bath to be a true escape, where you can relax and recuperate on a regular basis, why not consider adding a Hydrotherapy Air Spa to your bath?

Our Aquair Air Spas can relax your muscles, improve circulation and can be a beneficial aid in relaxation, health and well being.

AQUAIR

Our Hydrotherapy Air Spas with 4 speed options can be fitted on all our baths. With 12 strategically positioned jets our spa is designed to eject a proliferation of bubbles to provide an invigorating but gentle massage and enhance your bathing experience.

QUALITY ASSURED.

Each component part that makes our systems is 100% quality assurance checked prior and during the installation onto the bath by fully trained and approved operators.



CHROMOTHERAPY.

Why not benefit from the relaxing therapeutics of colour therapy. Immerse yourself and create an ambiance of tranquillity for relaxation and well-being with our chromotherapy LED bath light.



7 colours to choose from

From a single light source you can choose any of 7 colours or even a soothing fading effect that scrolls through the colour range.



Immerse yourself

Permeating the entire water space in the bath – immerse yourself in colours in an ambiance of tranquillity.



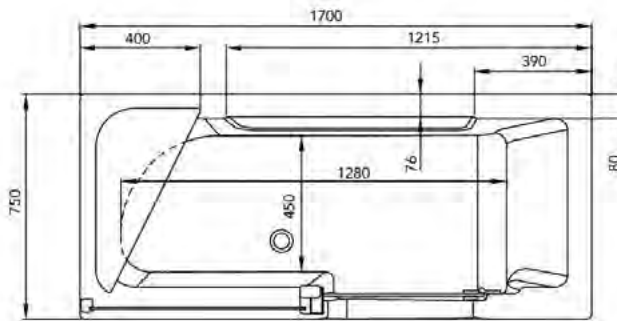
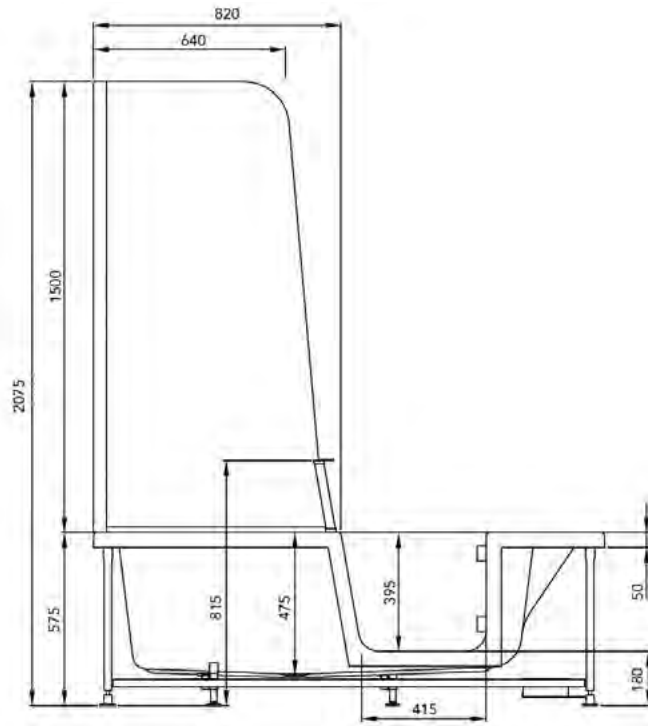
Benefits of coloured light therapy

Chromotherapy can provide an opportunity for relaxation of the mind and assist well-being.

Ask us for more information on how Hydrotherapy Spa and Chromotherapy can enhance your bath.



Kineduo Walk-In Shower Bath - Right Hand Entry



KINEDUO WALK-IN SHOWER BATH.

Includes Bath, Fold Down Seat, Screen, Front and Side Panels and waste. Colour: **White Bath.**

Code	Description	Dimensions (mm)
KINCOM1775CORLH	KINEDUO Complete set (LH)	1700 x 750
KINCOM1880CORLH	KINEDUO Complete set (LH)	1800 x 800

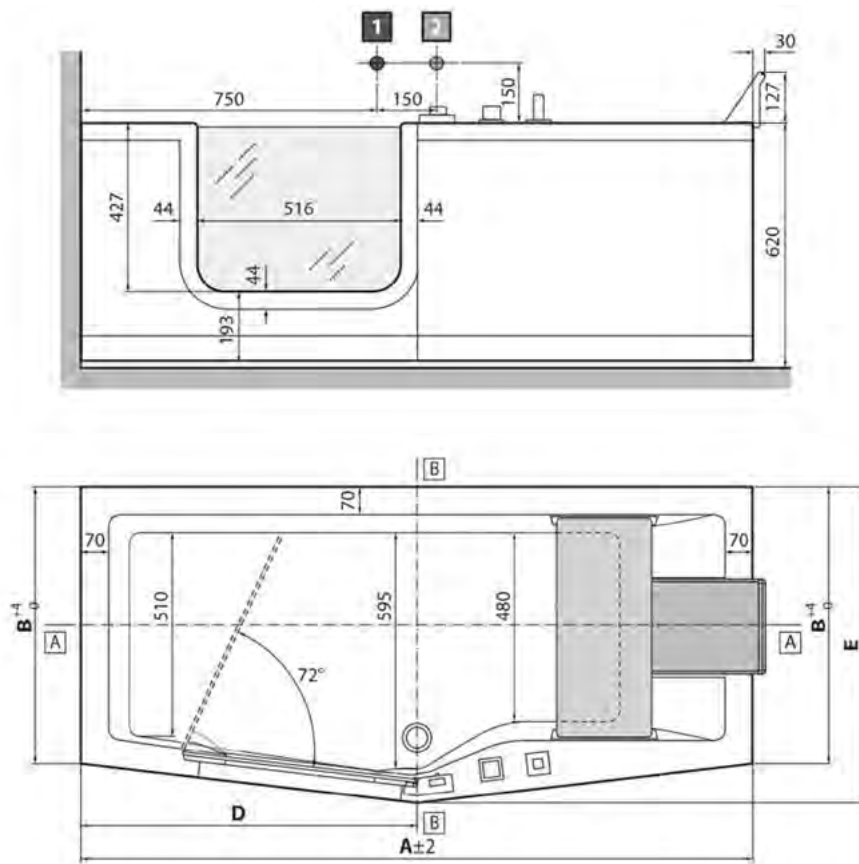
Code	Description	Dimensions (mm)
KINCOM1775CORRH	KINEDUO Complete set (RH)	1700 x 750
KINCOM1880CORRH	KINEDUO Complete set (RH)	1800 x 800

PRODUCT BENEFITS

- Left and Right options available in 1700 and 1800 baths
- Easy to use door latch
- Toughened safety glass door
- Glass screen with hinge panel
- Cristal technology on all glass items
- Fold down seat with soft close
- Uniquely adjustable feet system
- Easy click glass front and side bath panels



Iris Walk-In Shower Bath - Left Hand Entry



A - 1600,1700 & 1800

B - 700, 700 & 750

E - 800, 800 & 850



IRIS WALK-IN SHOWER BATH.

Includes Bath, Screen, Front and Side Panel and waste.

Colour: **White Bath.**

Code	Description	Dimensions (mm)
IRISCP16070CLHAP	IRIS Complete set (LH)	1600 x 700/750
IRISCP17075CLHAP	IRIS Complete set (LH)	1700 x 700/800
IRISCP18085CLHAP	IRIS Complete set (LH)	1800 x 750/800

Code	Description	Dimensions (mm)
IRISCP16070CRHAP	IRIS Complete set (RH)	1600 x 700/750
IRISCP17075CRHAP	IRIS Complete set (RH)	1700 x 700/800
IRISCP18085CRHAP	IRIS Complete set (RH)	1800 x 750/800

PRODUCT BENEFITS

- Luxury walk-in bath
- Space saving inward opening toughened glass door
- Easy bathing
- L/H + R/H options available
- Removable multifunctional seat and back rest
- Safety door lock feature
- Easy to use mechanical door lock



BOSI® Living Showers Walk-In – Left Hand
Patent & Registered design



Living Showers Offset Quadrant – Left Hand
Patent & Registered design



Living Showers Sliding Door – Left Hand
Patent & Registered design

LIVING SHOWERS QUADRANT.

Code	Description	Dimensions (mm)
LSQUAD12X90LH	Offset Quadrant Option	1210 x 900 (LH)
LSQUAD12X90RH	Offset Quadrant Option	1210 x 900 (RH)

LIVING SHOWERS SLIDING DOOR.

Code	Description	Dimensions (mm)
LSSLID1290CLH	Sliding Door & Side Panel	1510 x 900 (LH)
LSSLID1290CRH	Sliding Door & Side Panel	1510 x 900 (RH)
LSSLID1290RLH	Sliding Door – Recessed	1510 x 900 (LH)
LSSLID1290RRH	Sliding Door – Recessed	1510 x 900 (RH)



Living Shower BOSI – Left Hand Recessed
Patent & Registered design









LIVING SHOWERS BOSI[®] WALK-IN.

Side Panel, 700mm Screen & 300mm Flipper Panel
End Screen 700mm

Code	Description	Dimensions (mm)
LSBOSIWALK1770CLH	BOSI™ Walk-in Front & Side Panel	1685 x 700 (LH)
LSBOSIWALK1770CRH	BOSI™ Walk-in Front & Side Panel	1685 x 700 (RH)
LSBOSIWALK1770RLH	BOSI™ Walk-In – Front Panel	1685 x 700 (LH)
LSBOSIWALK1770RRH	BOSI™ Walk-In – Front Panel	1685 x 700 (RH)

Includes in each set: Shower Tray & Seat, Shower Cubicle, Shower Valve, Riser & Handset, Side Screen & Seat Access Panel. Hand by Seat (seat on left is a left hand)

HUG Finishes

	Oxide Grey*	D8		Aubergine*	P5
	Matt Black	DM		Copper*	R2
	Lime*	G9		Signal White	WE
	Polished Chrome	N2		Satin	N1

*Special Order Only



HUG - STRAIGHT GRAB RAIL.



Code (replace XX with finish code)	Description
G18UAS32XX	Horizontal Grab Rail - 386mm*
G18UAS33XX	Horizontal Grab Rail - 486mm*
G18UAS34XX	Horizontal Grab Rail - 586mm*
G18UAS35XX	Horizontal Grab Rail - 686mm*
G18UAS37XX	Horizontal Grab Rail - 906mm*
G18UAS38XX	Horizontal Grab Rail - 1006mm*
G18UAS39XX	Horizontal Grab Rail - 1306mm*
G18UAS55XX	Horizontal Grab Rail - 1450mm* NEW
G18UAS56XX	Horizontal Grab Rail - 1650mm* NEW
G18UAS40XX	Horizontal Grab Rail - 1756mm*
F47ANM10	Shelf for Horizontal Grab Rails - White

* Max Weight 150kg



HUG - VERTICAL GRAB RAIL.

Code (replace XX with finish code)	Description
G18UAS41XX	Vertical Grab Rail - 1756mm*
F47ANS01	Container for Vertical Grab Rail - White
G18UOS31XX	Vertical Grab Rail with Shower Holder*

Finish Codes

Chrome Plated	C1C1
White	WEWE
Graphite	DDD4



HUG ARM REST FOR FOLDING GRAB RAIL.

Code	Description
F18JMS01WEWE	Arm Rest for Folding Grab Rail - White
F18JMS01DDD4	Arm Rest for Folding Grab Rail - Graphite

Finish Codes

Chrome Plated	C1C1
White	WEWE
Graphite	DDD4



HUG - FOLDING AND REMOVABLE DROP DOWN ARMS.

Code (replace XX with finish code)	Description
G18JCS07XXXX	600mm Folding Grab Rail
G18JCS07XXXX	700mm Folding Grab Rail
G18JCS07XXXX	850mm Folding Grab Rail

* Max weight 150 Kg



HUG FIXING FLANGE COVER FOR FOLDING GRAB RAIL.

Code	Description
F18JIS01WEWE	Fixing Flange Cover - White
F18JIS01C1C1	Fixing Flange Cover - Chrome Plated
F18JIS01PBPB	Fixing Flange Cover - Coral Red
F18JIS01DDD4	Fixing Flange Cover - Graphite



GARDA SHOWER SEAT WITH ADJUSTABLE LEG

Code	Description
47729	Garda Shower Seat with Adjustable Leg - Anthracite
47730	Garda Shower Seat with Adjustable Leg - White

* Max Weight 150kg



GARDA BACK REST WITH ARM RESTS

*Special Order Only

Code	Description
47723	Garda Back Rest with Arm Rests - Anthracite
44720	Garda Back Rest with Arm Rests - White

* Max Weight 150kg

Finish Codes

Graphite	DD
Signal White	WE



HUG FOLDING SHOWER SEAT.

Code (replace XX with finish code)	Description
G12JDS05XX	HUG Folding Shower Seat*

* Max Weight 150kg



HUG REMOVABLE FOLDING SHOWER SEAT.

Code (replace XX with finish code)	Description
G12JDS08XX	Folding & Removable Shower Seat*

* Max Weight 150kg



HUG COVER FOR REMOVABLE SHOWER SEAT.

Code (replace XX with finish code)	Description
F18JIS02XX	Folding & Removable Shower Seat*



HUG BACKREST.

Code (replace XX with finish code)	Description
G12JDS06XX	Backrest
G12JDS07XX	Backrest and Armrests*

* Max Weight 150kg



ETERNAL COOL TOUCH ASSISTIVE THERMOSTATIC BAR VALVE SET.

Code	Description
BRIXASSTIVES7100	Includes Bar Valve, 700mm, 100kg Eternal Grab Rail Riser & 3 mode Handset - Chrome
BRIXASSTIVES9100	Includes Bar Valve, 900mm, 100kg Eternal Grab Rail Riser & 3 mode Handset - Chrome
BRIXASSTIVES7150	Includes Bar Valve, 700mm, 150kg Eternal Grab Rail Riser & 3 mode Handset - Chrome
BRIXASSTIVES9150	Includes Bar Valve, 900mm, 150kg Eternal Grab Rail Riser & 3 mode Handset - Chrome

PRODUCT BENEFITS

- Brass body
- Lower levers with diamond knurling for additional grip
- Works on low pressure
- Stainless steel riser - weight limit up to 150kg
- New easy use riser holder for shower head



BRIXEN COOL TOUCH ASSISTIVE THERMOSTATIC BAR VALVE.

Colour: **Chrome.**

Code	Description
BRIXASSTIVBAR	Brixen Cool Touch Assistive Thermostatic Bar Valve



HUG - ETERNAL GRAB RAIL.

Code	Description (Includes 1.5m hose and 3 mode shower head)
F18XOS03N2COMP	Eternal Rail Riser 700mm, 100kg Weight Capacity - Stainless Steel
F18XOS01N2COMP	Eternal Rail Riser 900mm, 100kg Weight Capacity - Stainless Steel
F18XOS03MACOMP	Eternal Rail Riser 700mm, 150kg Weight Capacity - Stainless Steel
F18XOS01MACOMP	Eternal Rail Riser 900mm, 150kg Weight Capacity - Stainless Steel



MANTALEDA
ACCESSIBLE BATHING
•YORKSHIRE CRAFTED•

☎ 01609 771 211

✉ info@mantaleda.co.uk

Mantaleda Bathrooms

19 Standard Way
Standard Way Industrial Estate
Northallerton
North Yorkshire
DL6 2XA

Visit us: www.mantaleda.co.uk